



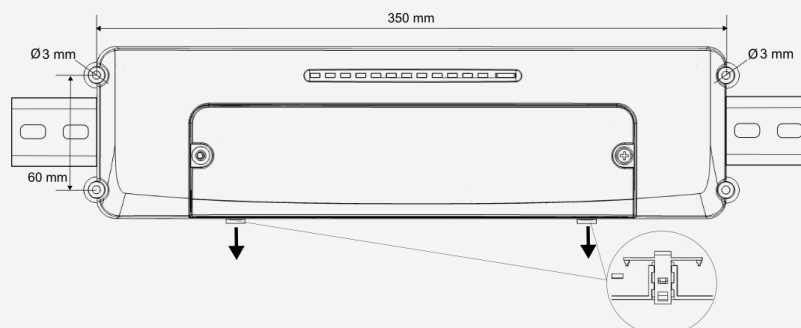
xFLOOR 2

Controller for underfloor heating installations

xFLOOR 2 controls temperature in heating zones by controlling actuators. Configuration and operation of heat zones is made by room panels or web module. xFLOOR 2 can be **configured and controlled via ecoNEXT mobile application** (offline mode) **using BT communication**. The controller can be used in households or similar environment, also in lightly industrialized buildings.

Technical data

Supply	~ 230 V, 50Hz, 5.5A
Protection class	IP 20
Relative humidity	5...85% without steam condensation
Operating temperature	0..50°C
Storage temperature	-10..+65°C
Communication	2 x RS485, Two-way ISM radio communication, BT 5
Radio transmission band	ISM 868 MHz, (the band 865...868 MHz)
Transmission output of wireless room panel and radio module	20 mW (+13 dBm)
Type of radio module	RFM69CW-868-S2 Hoperf
Type of radio antenna	086AT43A0020E Jonson Tech
Display	LED indicator
Dimensions / weight	325x90x50 mm / 0.8 kg
Software class	A, acc. PN-EN 60730-1
Installation method	On the wall, DIN TS35

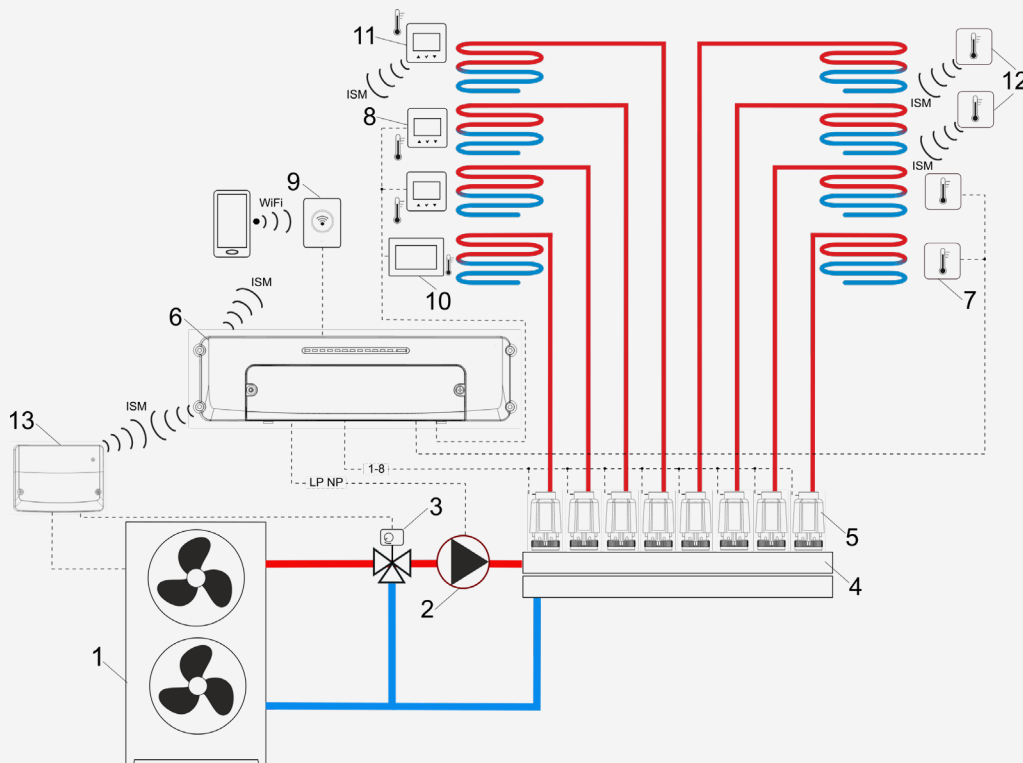


Protection class	I Class
-------------------------	---------

Diagrams

Hydraulic diagram

1 - heat source, 2 - water pump, 3 - valve, 4 - manifold, 5 - actuator, 6 - xFLOOR 2, 7 - wired room temperature sensors xTherm 20p (NTC10k), 8 - wired room thermostats xTherm 40p (supporting device), 9 - web module (supporting device), 10 - wired room panel xTherm Touch (supporting device), 11 - wireless room thermostat xTherm 40r (supporting device), 12 - wireless room temperature sensor xTherm 20r (supporting device)



Electric diagram

L N - power supply 230VAC, F1 - fuse 2.5 A/250VAC, F2 - spare fuse, P1 - 230VAC pump, S1 - voltage-free heat source transmitter (nominal voltage 230V), 1...8 - actuator outputs (nominal voltage 230V), S2 - input ON/OFF heating/cooling, S3 - Hygrostat input, G1,G2 - RS485 ports for room panels +5...12VDC, G3 - RS485 port for external module, T1...T8 - connectors for wired temperature sensors.

