



## ecoMAX 350R

Regulator for solid fuel boilers with a fan and feeding screw

The **ecoMAX 350R** is a modern solution for an automatic control and optimization of the combustion process in solid fuel boilers with a fan and feeding screw. The controller stands out with an universal design and user friendly interface. It is equipped with a graphic display and TOUCH & PLAY system with encoder, what provides easy and friendly handling. The ability to choose an operation algorithm: standard or INDIVIDUAL FUZZY LOGIC makes our controller a competitive solution for the boiler's manufacturer which:

- is easy to mount and use,
- provides a stable, adaptive combustion,
- ensures high boiler efficiency,
- cooperates with the ecoSTER200 room panel.

The ecoMAX 350R is a single module device with connectors located on the back of the controller.

### Features:

- Stepless control of the fan power,
- exchangeable software,
- selection of an operation algorithm: standard or INDIVIDUAL FUZZY LOGIC,
- room thermostat support,
- pumps control: DHW, boiler's, mixer, circulation,
- Timed control of the feeding screw,
- alarm events signaling,
- separate menus for the user and installer,
- clock – to set separate time schedules with different preset temperatures for the CH and mixer circuit,
- DHW priority or parallel operation,
- SUMMER/WINTER mode – with automatic detection of the SUMMER mode,
- Pumps anti-lock protection,
- Protection against flame recession into the feeder.

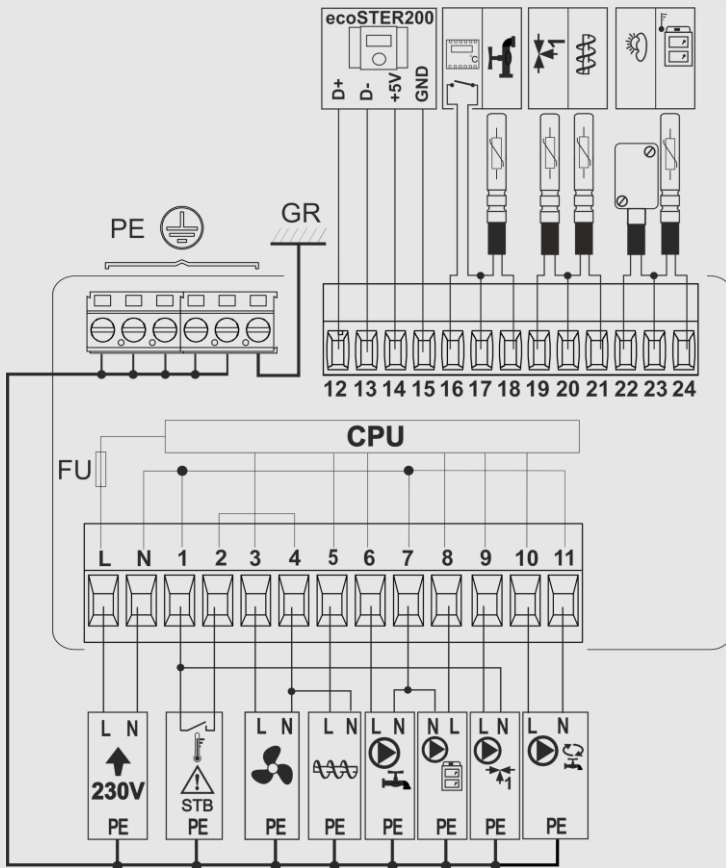


Room panel **ecoSTER200** –  
(not a part of standard  
equipment)



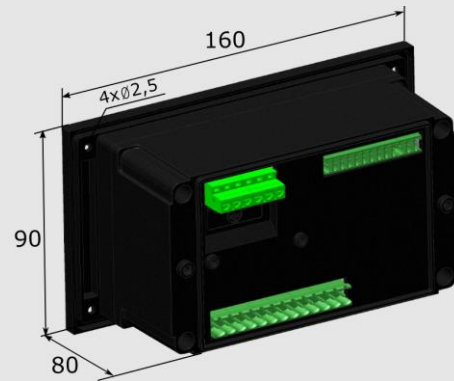
## ecoMAX 350R

### Electric connections diagram, enclosure dimensions

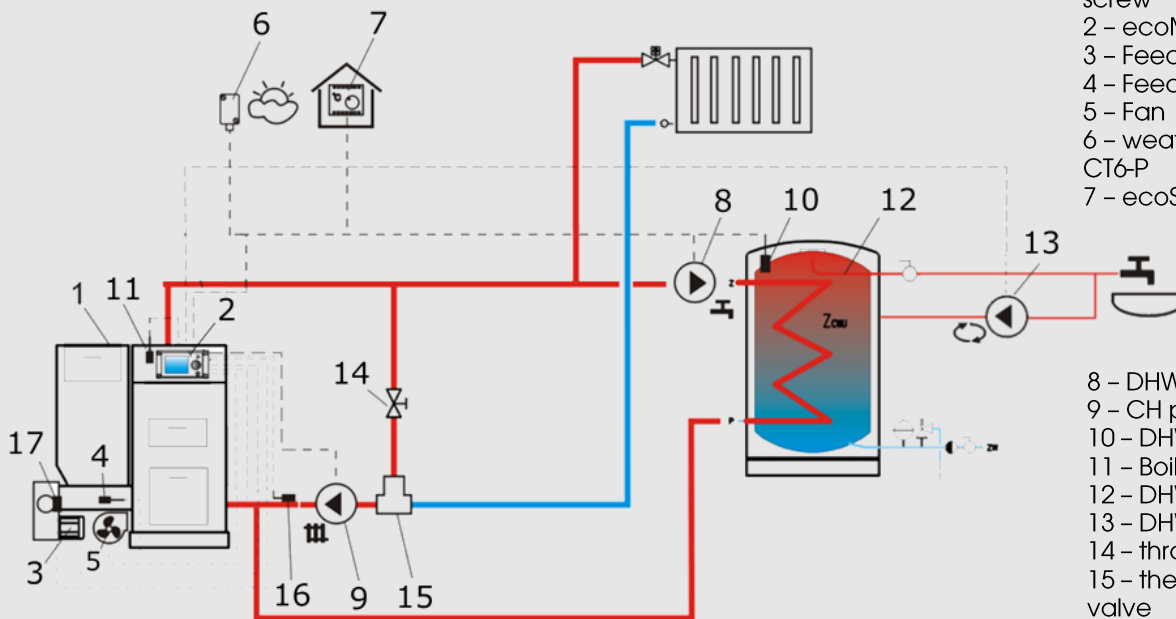


- ↑ -230V/50Hz Power supply
- STB - Emergency temperature limiter
- CPU - control unit
- FU - Fuse
- 🌀 - Fan
- 🌀 - Screw feeder
- 🌀 - DHW pump
- 🌀 - Boiler pump
- 🌀 - Mixer pump
- 🌀 - Circulation pump

- PE - Grounding
- GR - Grounding bar
- ecoSTER200 - room panel
- 🌀 - thermostat
- 🌀 - DHW temp. sensor CT4 type
- 🌀 - Mixer temp. sensor CT4 type
- 🌀 - Feeder temp. sensor CT4 type
- 🌀 - Weather temp. sensor CT6-P type
- 🌀 - Boiler temp. sensor CT4 type



### Example hydraulic scheme



- 1 - Boiler with feeding screw
- 2 - ecoMAX 350R regulator
- 3 - Feeder actuator
- 4 - Feeder temp. sensor CT4
- 5 - Fan
- 6 - weather temp. sensor CT6-P
- 7 - ecoSTER200 room panel
- 8 - DHW pump
- 9 - CH pump
- 10 - DHW temp. sensor CT4
- 11 - Boiler temp. sensor CT4
- 12 - DHW container
- 13 - DHW circulation pump
- 14 - throttle (poppet) valve
- 15 - thermostatic three-way valve
- 16 - return temp. sensor CT4
- 17 - Feeder piston position sensor