



ecoMAX 050

The regulator for solid fuel boilers with manual fuel feed

Boiler controller **ecoMAX 050** is a solution for automatic control and optimization of the combustion process in boilers for solid fuel with manual fuel feed. The controller maintains a preset boiler temperature by controlling the combustion process by controlling the fan. The possibility of cooperation with a room thermostat is conducive to maintaining a comfortable temperature in the heated rooms. The controller stands out universal design and user friendliness. It is equipped with a graphic display and keyboard that provides easy and friendly service.

The controller provides the manufacturer of the boiler, solutions that are:

- Easy to use and installation
- Provide high efficiency boiler
- Ensure a high degree of safety use.

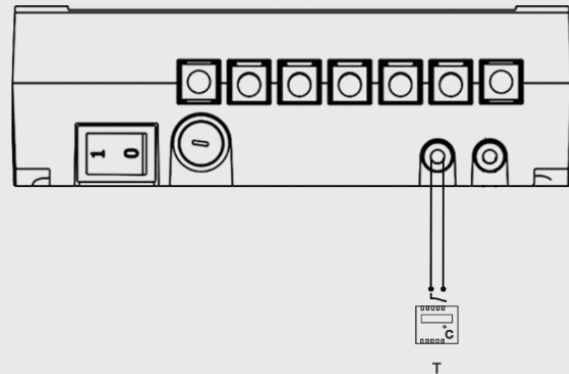
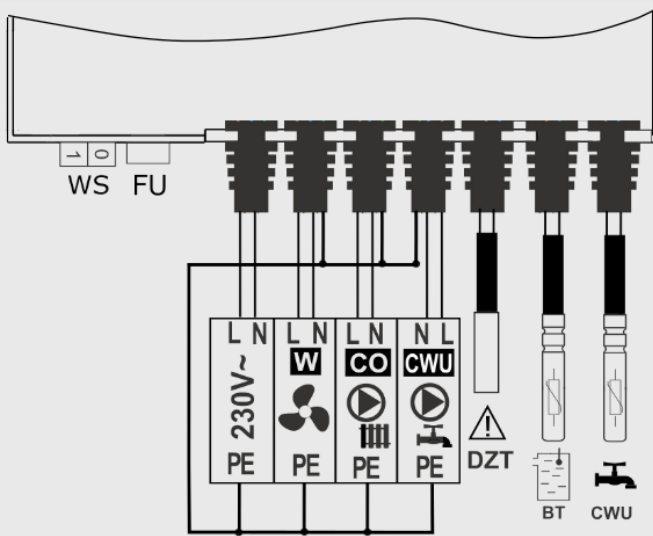
Functions

- Continuously variable fan power
- Operation without fan
- Cooperation with a room thermostat
- Switch summer / winter
- Control of huw pump and boiler pump
- Function the priority of huw or parallel operation of pumps
- Function anti standstill of protecting pumps and antifreezing protection
- Alarms signaling
- Signaling sound when user press the buttons
- Separate menu for user, service and installer
- Thermal protection system of the boiler overheating
- Preventive function cooling the boiler
- Detection of lack of fuel
- Adjust the brightness of the display
- Power switch



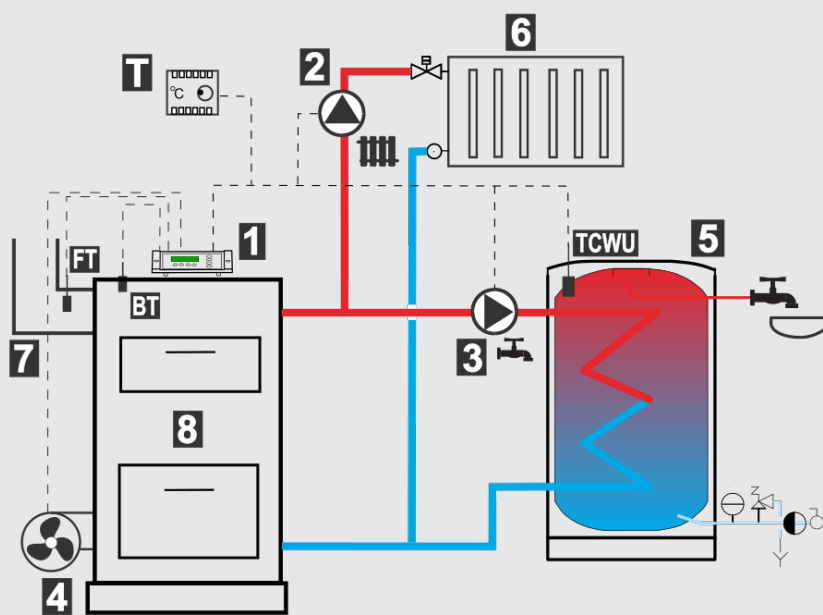


Electric connection



- DZT - thermal protection
- CPU - control
- LCD - graphics display
- FU - fuse
- WS - power switch
- W - fan
- CWU - HUW pump
- CO - boiler pump
- T - room thermostat
- TCWU - HUW temp. sensor, CT4
- BT - boiler temp. sensor, CT4

Hydraulic scheme



Hydraulic scheme with HUW container:

- 1 - regulator
- 2 - boiler pump
- 3 - HUW pump
- 4 - fan
- T - room thermostat
- 5 - HUW container
- 6 - heating system
- 7 - boiler
- BT - boiler temperature sensor, type CT4
- TCWU - HUW temperature sensor, type CT4.